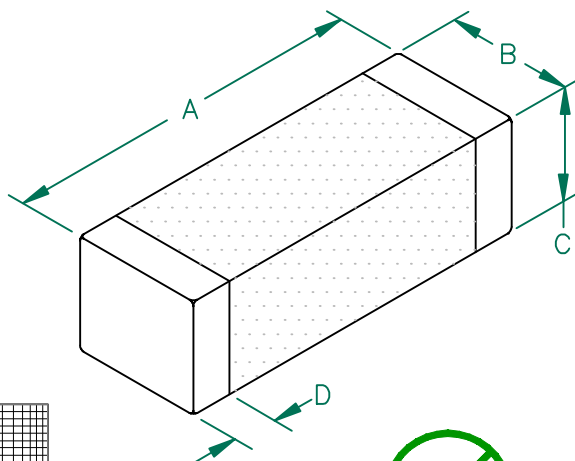


# HZ1806K102R-10

**UNCONTROLLED DOCUMENT**

PHYSICAL DIMENSIONS:

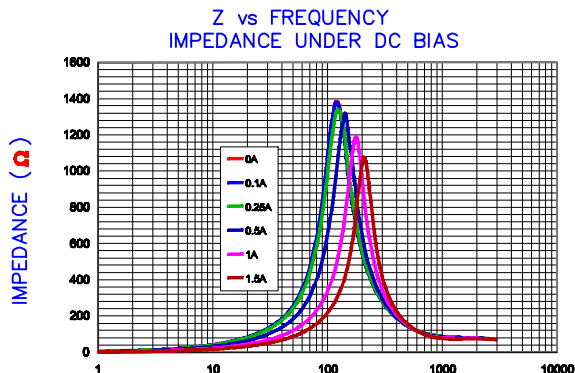
A	4.50 [.177]	+ 0.20 [.008]
B	1.60 [.063]	+ 0.20 [.008]
C	1.60 [.063]	+ 0.20 [.008]
D	0.51 [.020]	+ 0.30 [.012]



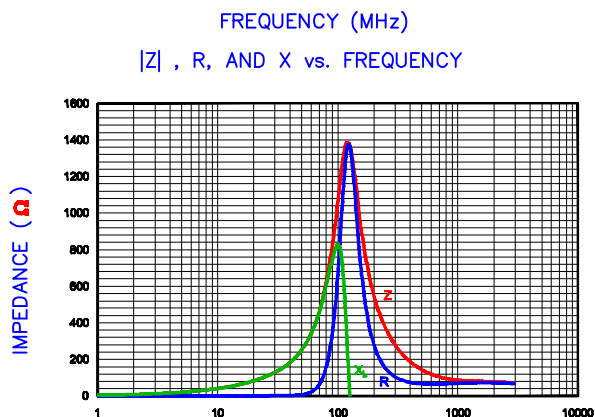
ELECTRICAL CHARACTERISTICS:			
Z @ 100MHz (Ω)	DCR (Ω)	Rated Current	
Nominal	1000		
Minimum	750		
Maximum	1250	0.15	1,500 mA

NOTES: UNLESS OTHERWISE SPECIFIED

1. TAPED AND REELED per CURRENT EIA SPECIFICATIONS 7" REELS, 2,000 PCS/REEL, EMBOSSED PLASTIC TAPE.
2. TERMINATION FINISH IS 100% TIN.
3. COMPONENTS SHOULD BE ADEQUATELY PREHEATED BEFORE SOLDERING.



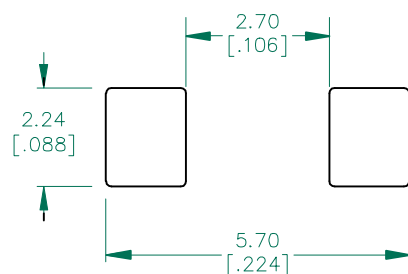
Z vs FREQUENCY  
IMPEDANCE UNDER DC BIAS



FREQUENCY (MHz)  
|Z| , R, AND X vs. FREQUENCY

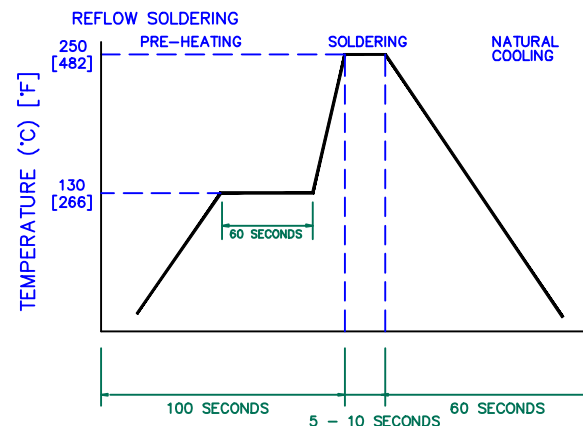
**Z**      **R**      **X<sub>L</sub>**

LAND PATTERNS FOR REFLOW SOLDERING



(For wave soldering, add 0.762 [.030] to this dimension.)

RECOMMENDED SOLDERING CONDITIONS



DIMENSIONS ARE IN mm [INCHES].				This print is the property of Laird Tech. and is loaned in confidence subject to return upon request and with the understanding that no copies shall be made without the written consent of Laird Tech. All rights to design or invention are reserved.			
PROJECT/PART NUMBER:				REV	PART TYPE:	DRAWN BY:	
C	UPDATE COMPANY LOGO	03/25/08	JRK	C	CO-FIRE	JRK	
B	CORRECT MIN Z SPEC FROM 700	12/21/06	JRK	DATE:	12/15/06	SCALE:	NTS
A	ORIGINAL DRAFT	12/15/06	JRK	CAD #		SHEET:	
REV	DESCRIPTION	DATE	INT	HZ1806K102R-10-C		TOOL #	-
						2 of 2	

